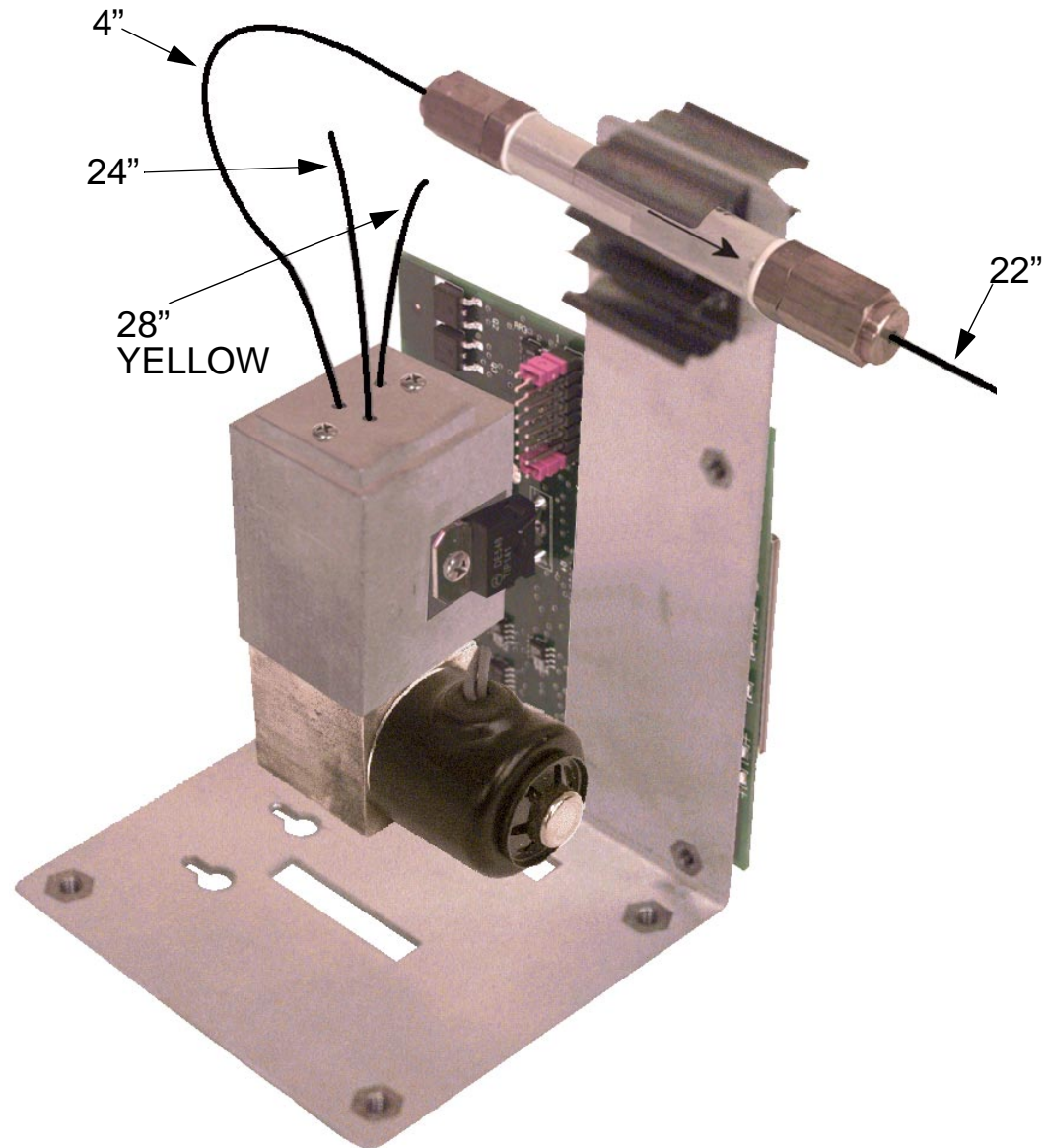
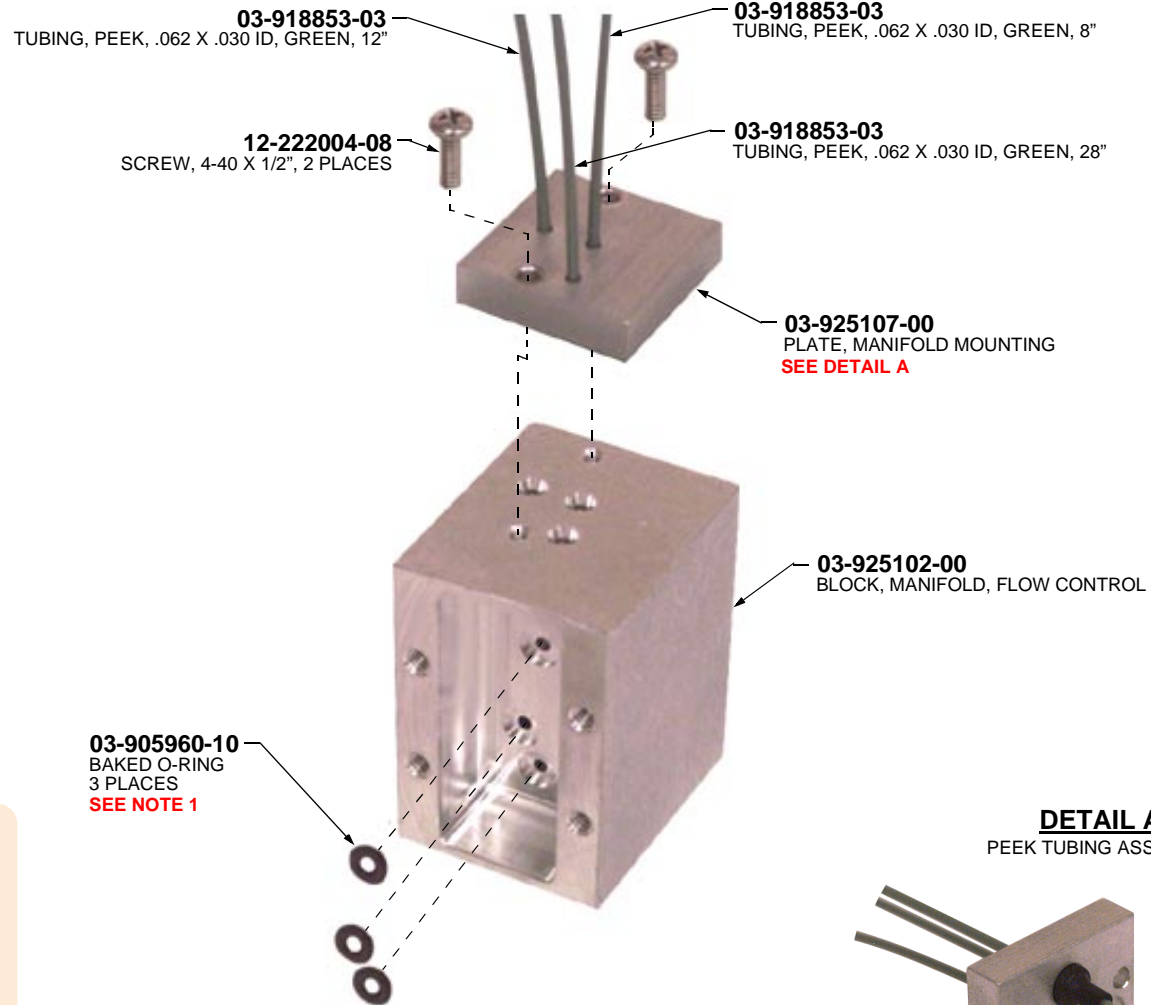


EFC MODULE III SUB-ASSEMBLY

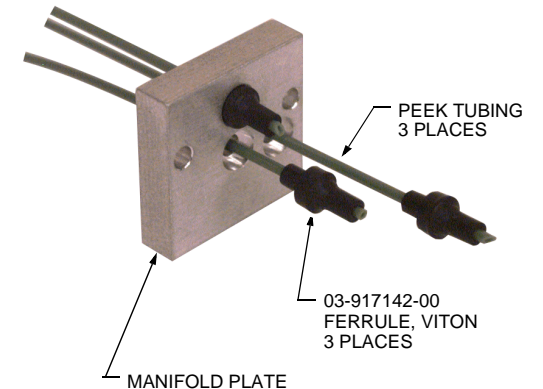




MANIFOLD ASSY.
GOTO PAGE 2 FOR
INSTALLATION



DETAIL A
PEEK TUBING ASSEMBLY



NOTES: (UNLESS OTHERWISE SPECIFIED)

1. SEE O-RING PRE-ASSEMBLY INSPECTION PROCEDURE.

OPERATION NOTES

2. AFTER CLEANING O-RINGS AND MANIFOLD MATING SURFACE, SET O-RINGS IN PLACE WITH TWEEZERS (DO NOT TOUCH O-RINGS).

3. FIRMLY SEAT O-RINGS IN THE MANIFOLD BLOCK.

4. INSPECT SEATING OF O-RINGS, IF NECESSARY PRESS TO SEAT USING TWEEZERS.

5. AFTER O-RING PLACEMENT "DUST-OFF" AGAIN.